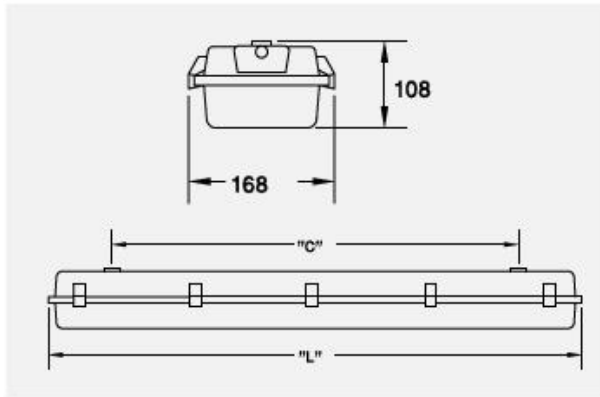


Dust Tight & Jet Proof Luminaire

وحدة إنارة محكمة ضد الغبار والماء



5294U/TLED001	5294U TLED / 1xTLED SS(L,N) T8 220-240V/50-60Hz L1200MM
5294U/TLED002	5294U TLED / 2xTLED SS(L,N) T8 220-240V/50-60Hz L1200MM



Lamp order information Philips Eco Fit



12NC	Length	Color Temp	System Wattage	Voltage	Lifetime	Lumen output	Efficacy
929001184668	1200mm	6500 K	16W	220-240V	15.000 hrs	1600 lm	100 lm/W
929001184568	1200mm	4000 K	16W	220-240V	15.000 hrs	1600 lm	100 lm/W
929001184868	600mm	6500 K	8W	220-240V	15.000 hrs	800 lm	100 lm/W
929001184768	600mm	4000 K	8W	220-240V	15.000 hrs	800 lm	100 lm/W